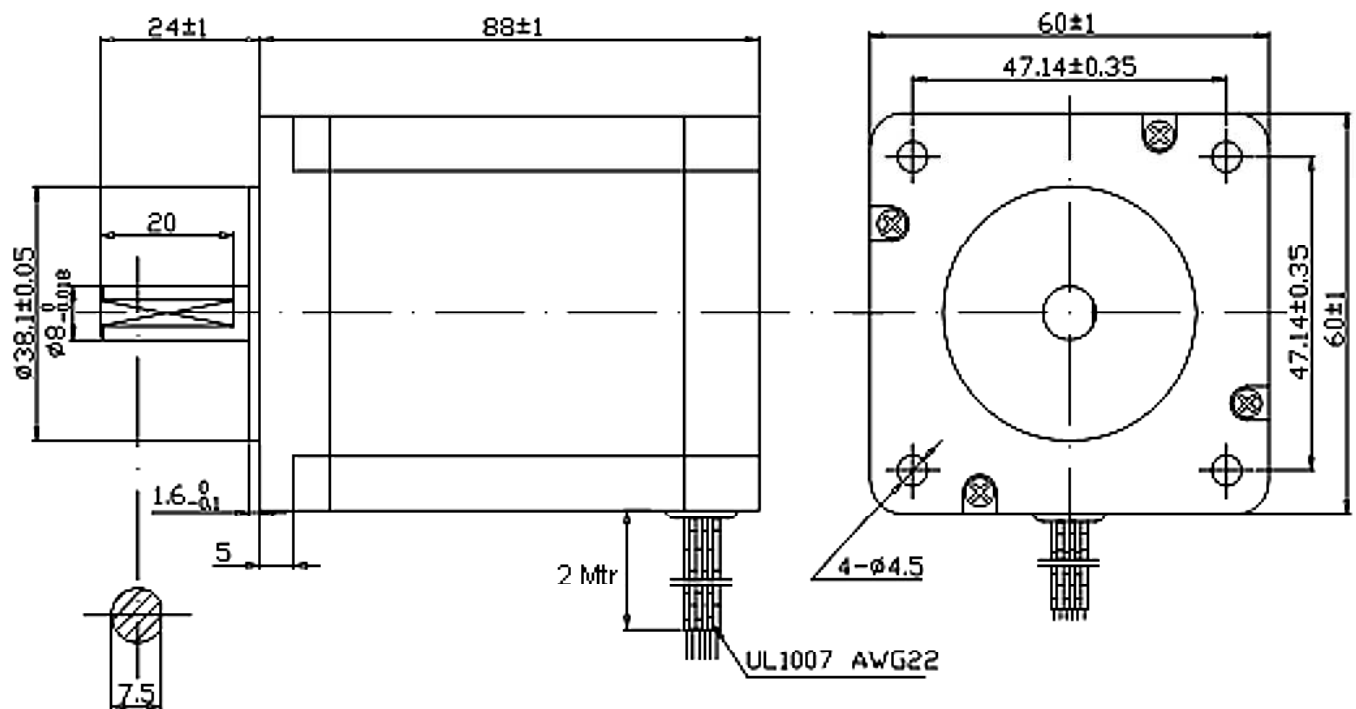


STEPPING MOTORS TYPE 60STH86-2008AF

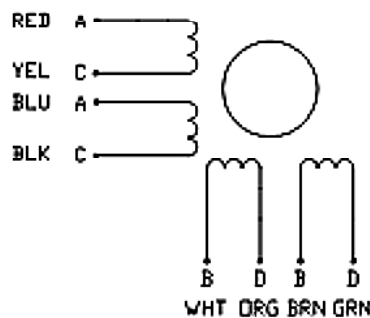
SPECIFICATIONS

PHASE	STEP ANGLE	CONNECTION STYLE	CURRENT	RESISTANCE	INDUCTANCE	HOLDING TORQUE	CLASS OF INSULATION	WEIGHT
	DEG/STEP		A	ohms±10%	mH±20%	N.m		Kg
2	1.8	parallel	5.0	0.55	3.0	3.1	B	1.4
2		series	2.5	2.2	12	3.1		
4		unipolar	3.5	1.1	3.0	2.2		

DIMENSION: Units: mm



WIRING DIAGRAM



SERIES CONNECTION

RED 1A
BLACK 1B
JOIN YEL/BLU

WHITE 2A
GREEN 2B
JOIN ORG/BRN

PARALLEL CONNECTION

RED / BLU 1A
YEL / BLACK 1B

WHT / BRN 2A
ORG / GRN 2B